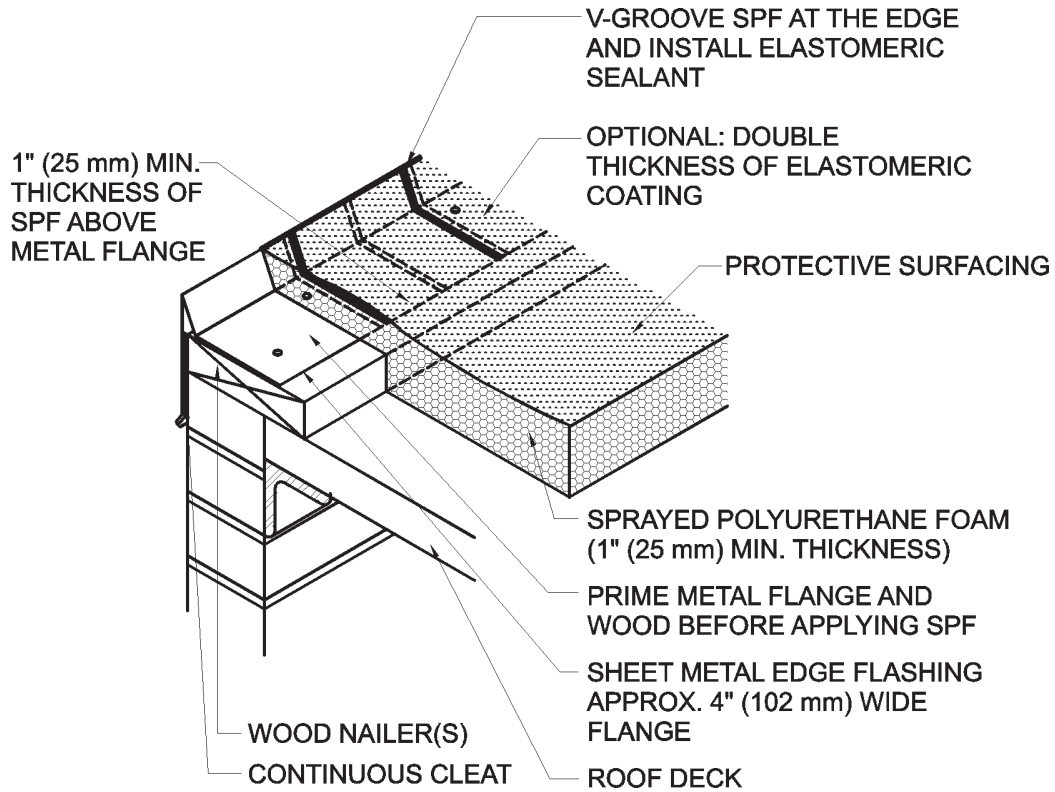


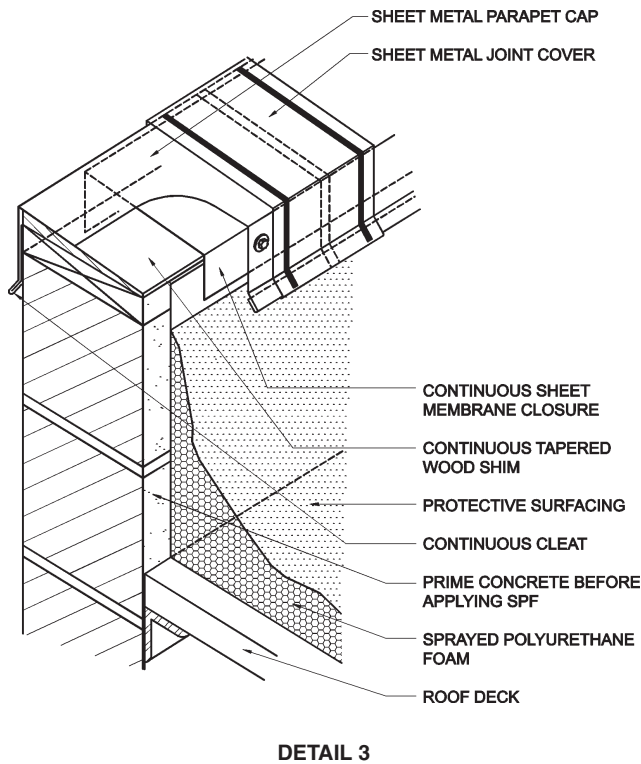
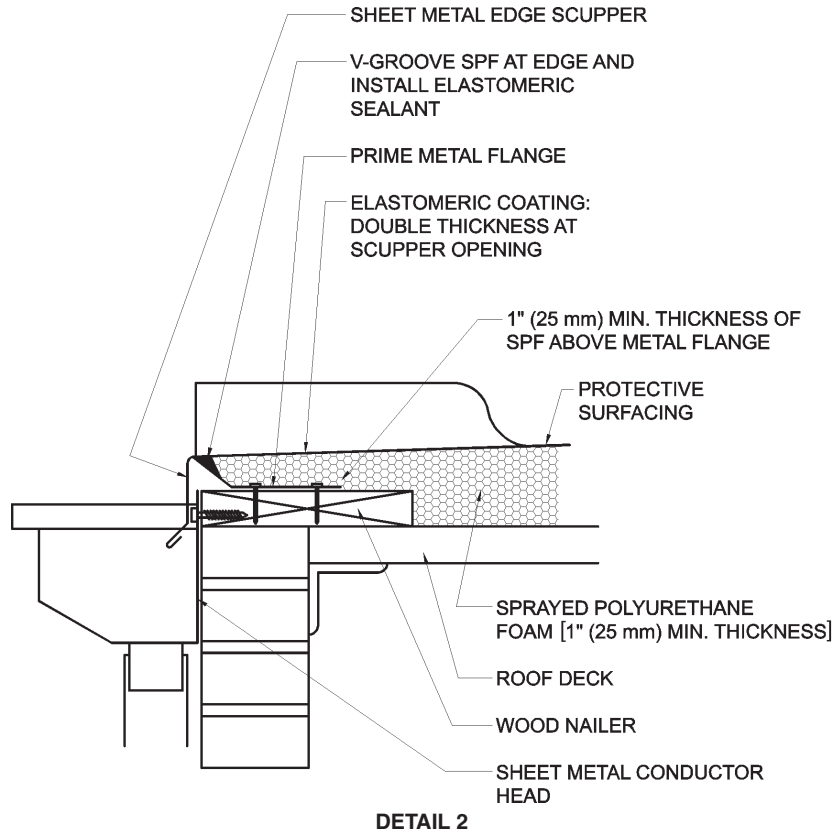
# ROOFING APPLICATION STANDARD (RAS) No. 109-A

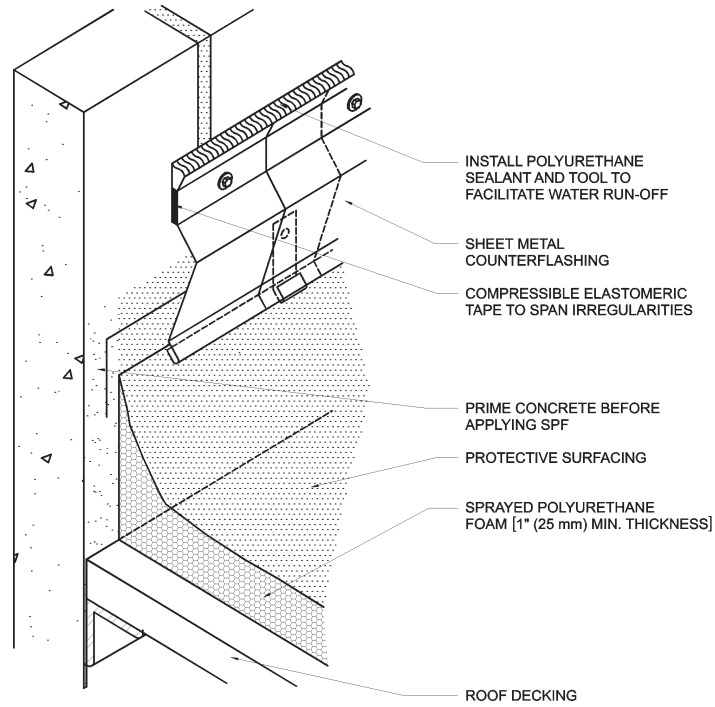
## Detail Drawings

The following guide details have been provided by the Polyurethane Foam Contractors Division of The Society of the Plastics Industry, Inc. for application guidelines.

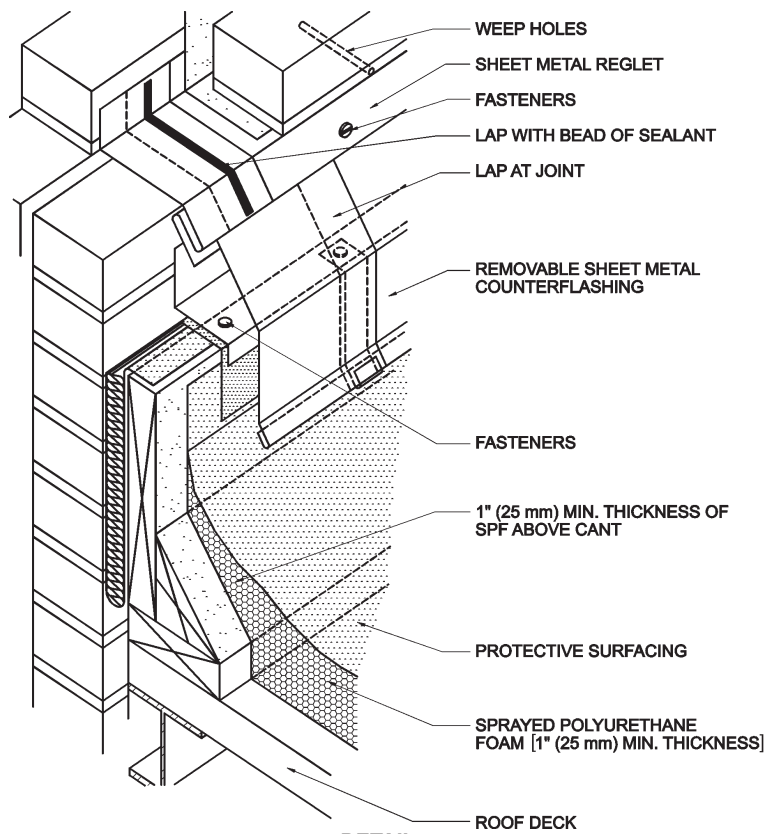


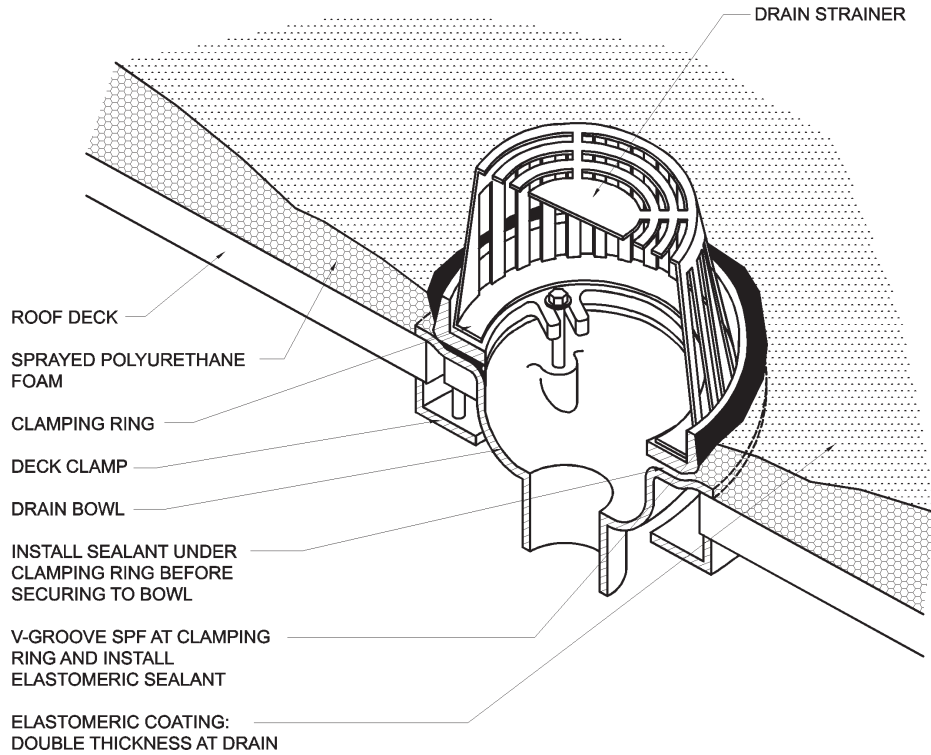
DETAIL 1



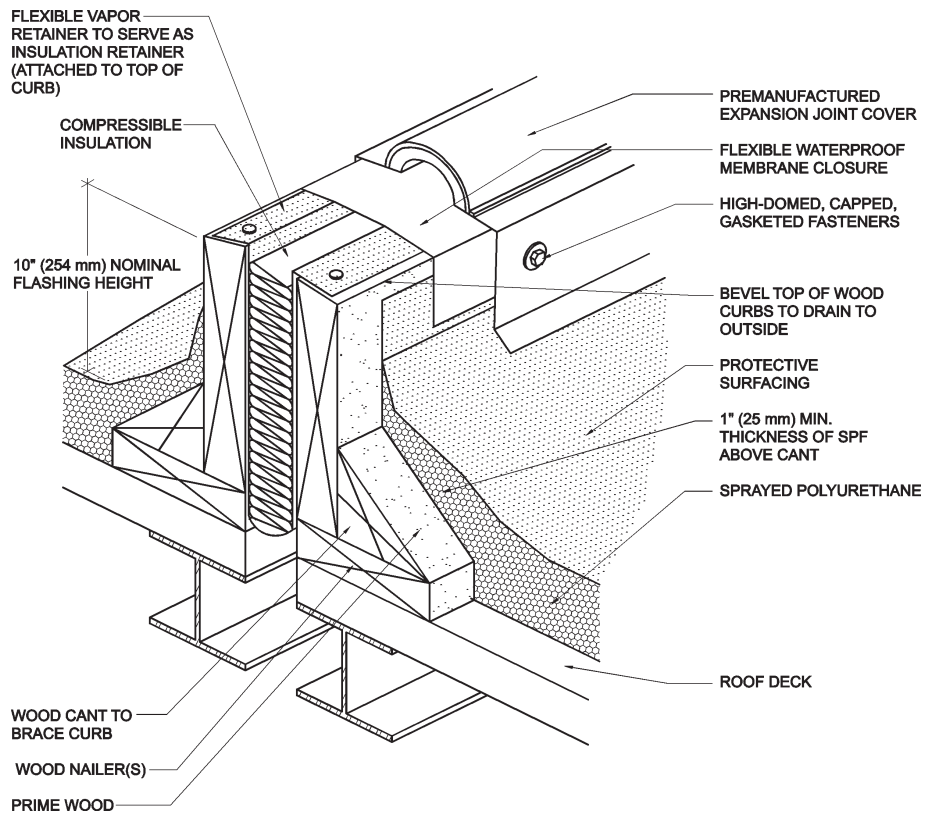


DETAIL 4

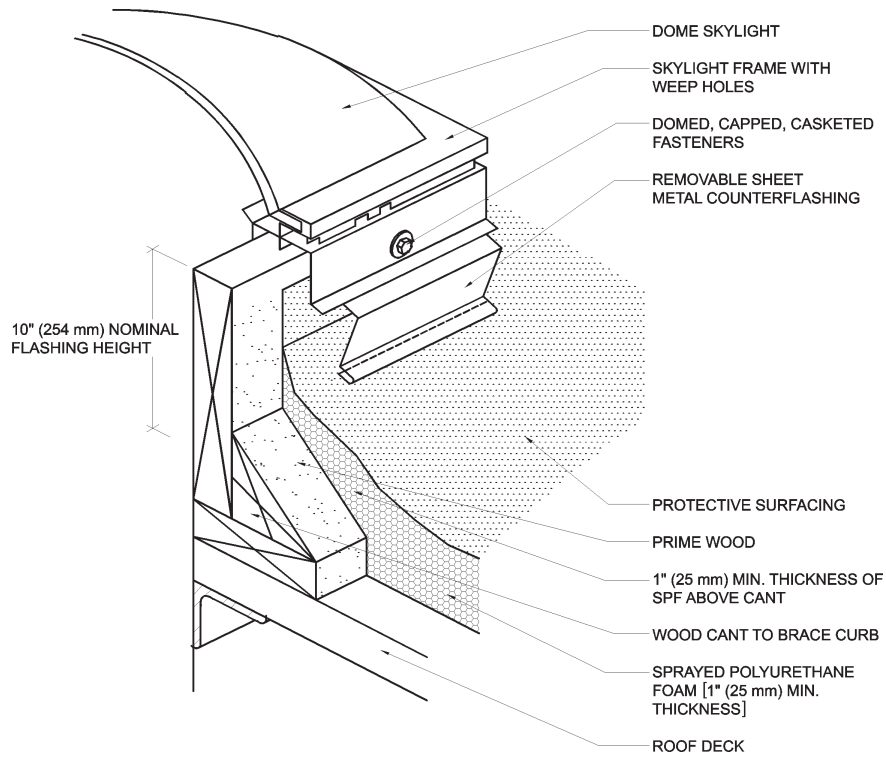




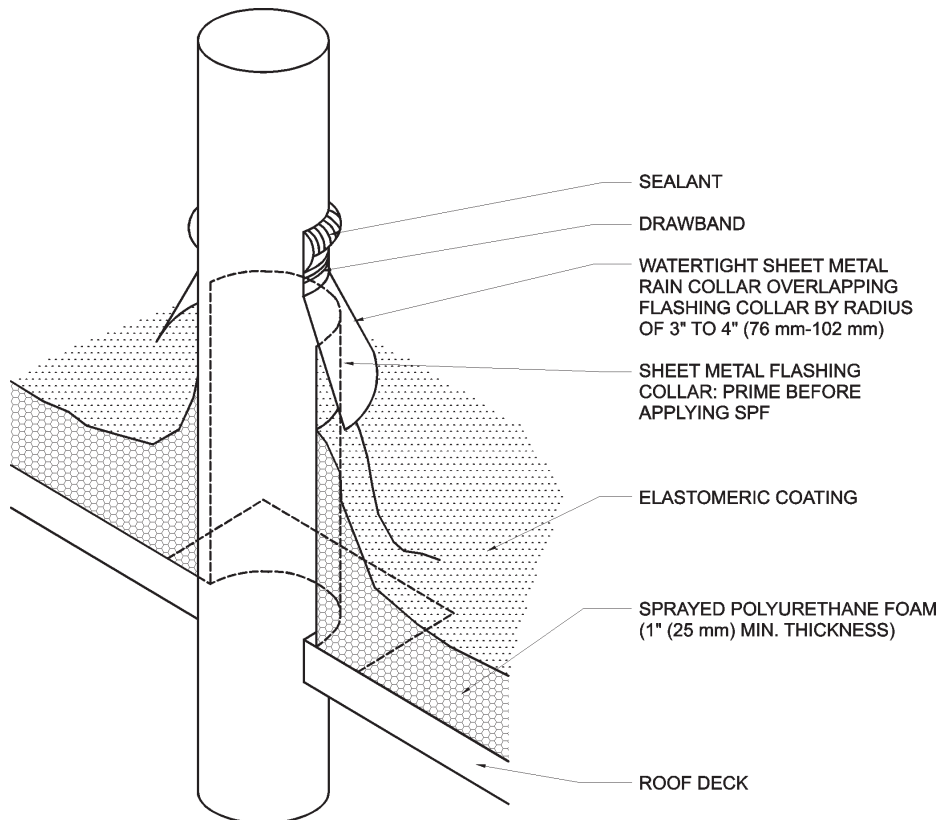
DETAIL 6



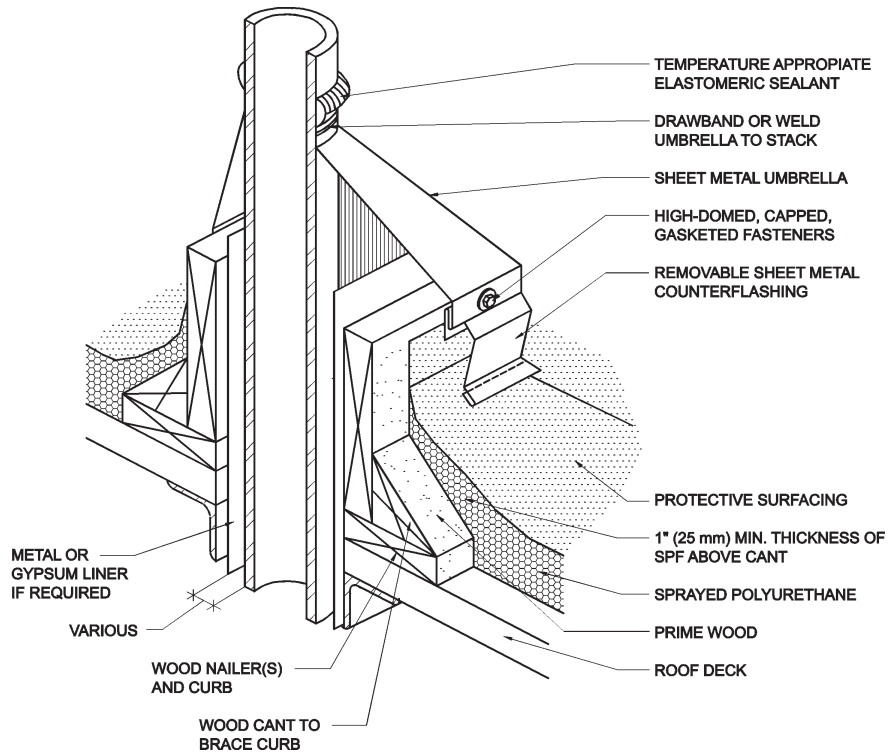
DETAIL 7



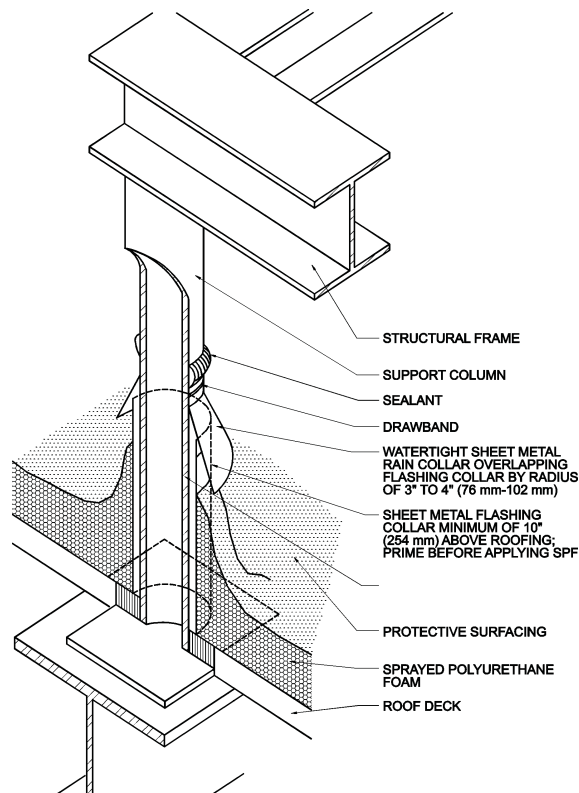
DETAIL 8



DETAIL 9



DETAIL 10



DETAIL 11